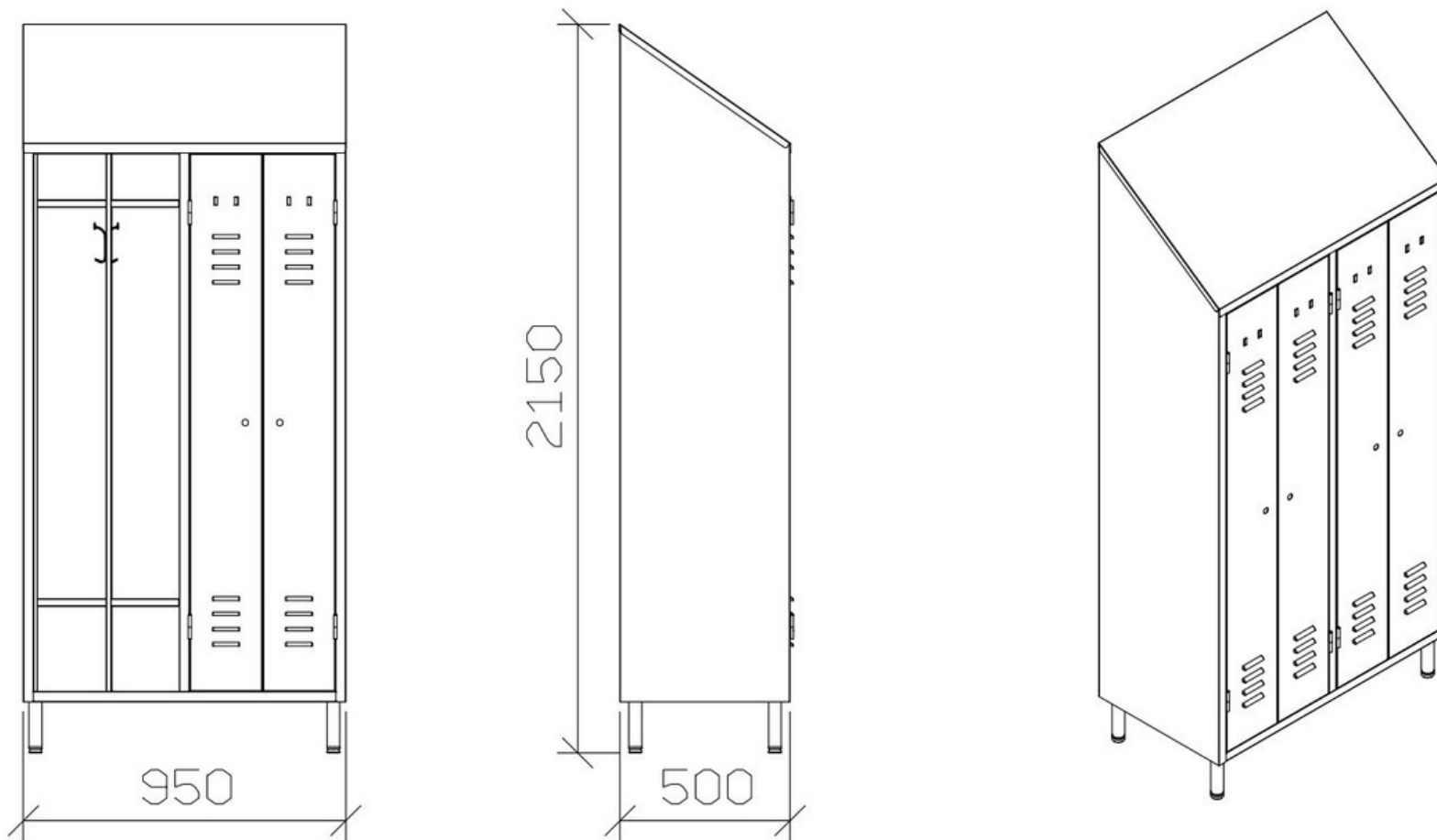


X1013 - Double Changing Room Locker, 4 doors



- Stainless steel AISI 304 or AISI 441
- 4 Doors with ventilation slits and nametag holder
- Key lock or padlockable knob
- 1 internal clothes hook per compartment

- Top and bottom shelves
- Adjustable feet $\varnothing 38\text{mm} \times 150\text{H}$
- Dimension mm 950 x 500 x 1.800/2.150H