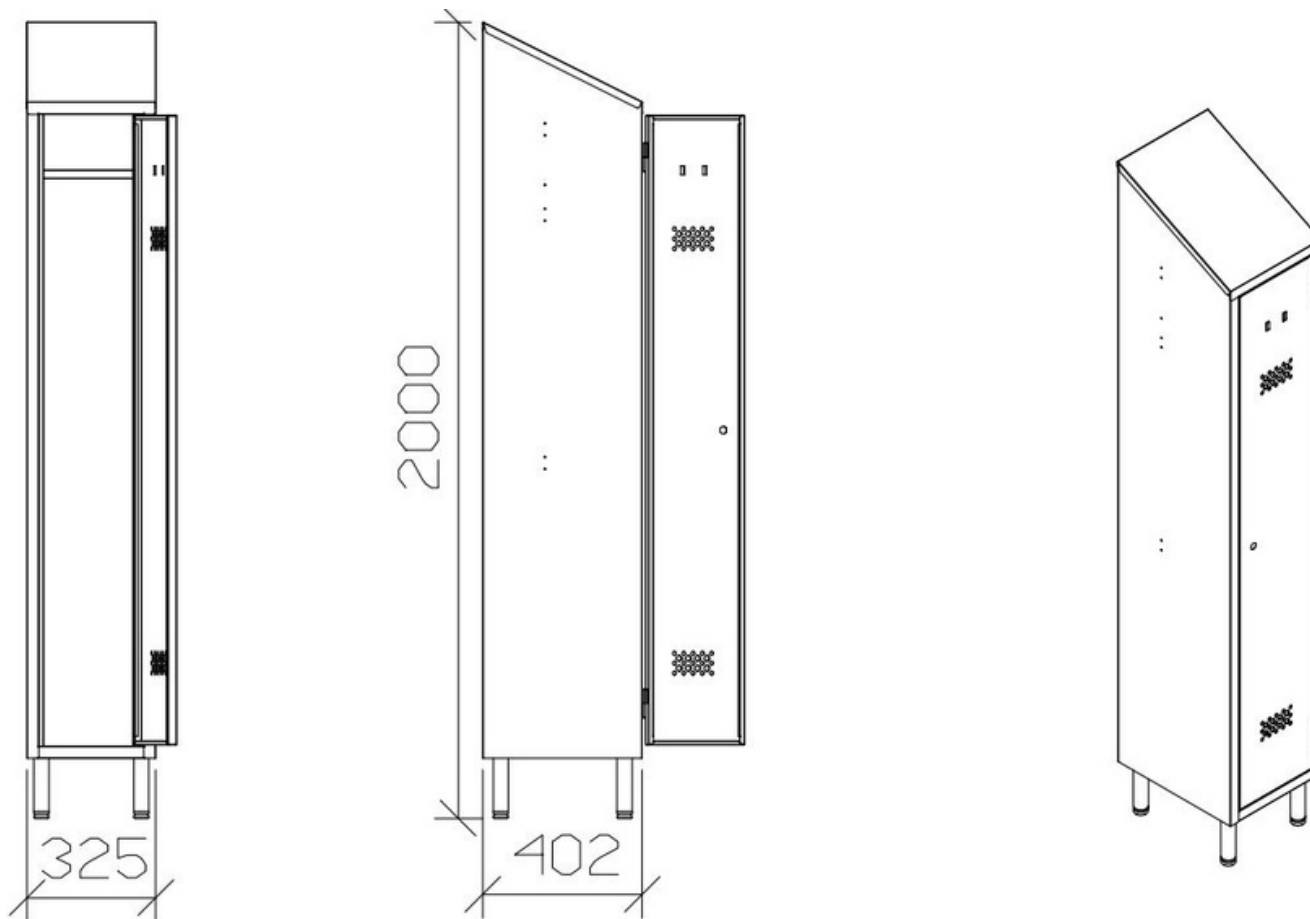


X1E1 - Single Changing Room Locker



- Stainless steel AISI 304 or AISI 441
- 1 Door with ventilation holes and nametag holder
- Key lock or padlockable knob
- 1 internal clothes hook per compartment

- Top shelf
- Adjustable feet $\varnothing 38\text{mm} \times 150\text{H}$
- Dimension mm 325 x 400 x 1.800/2.000H