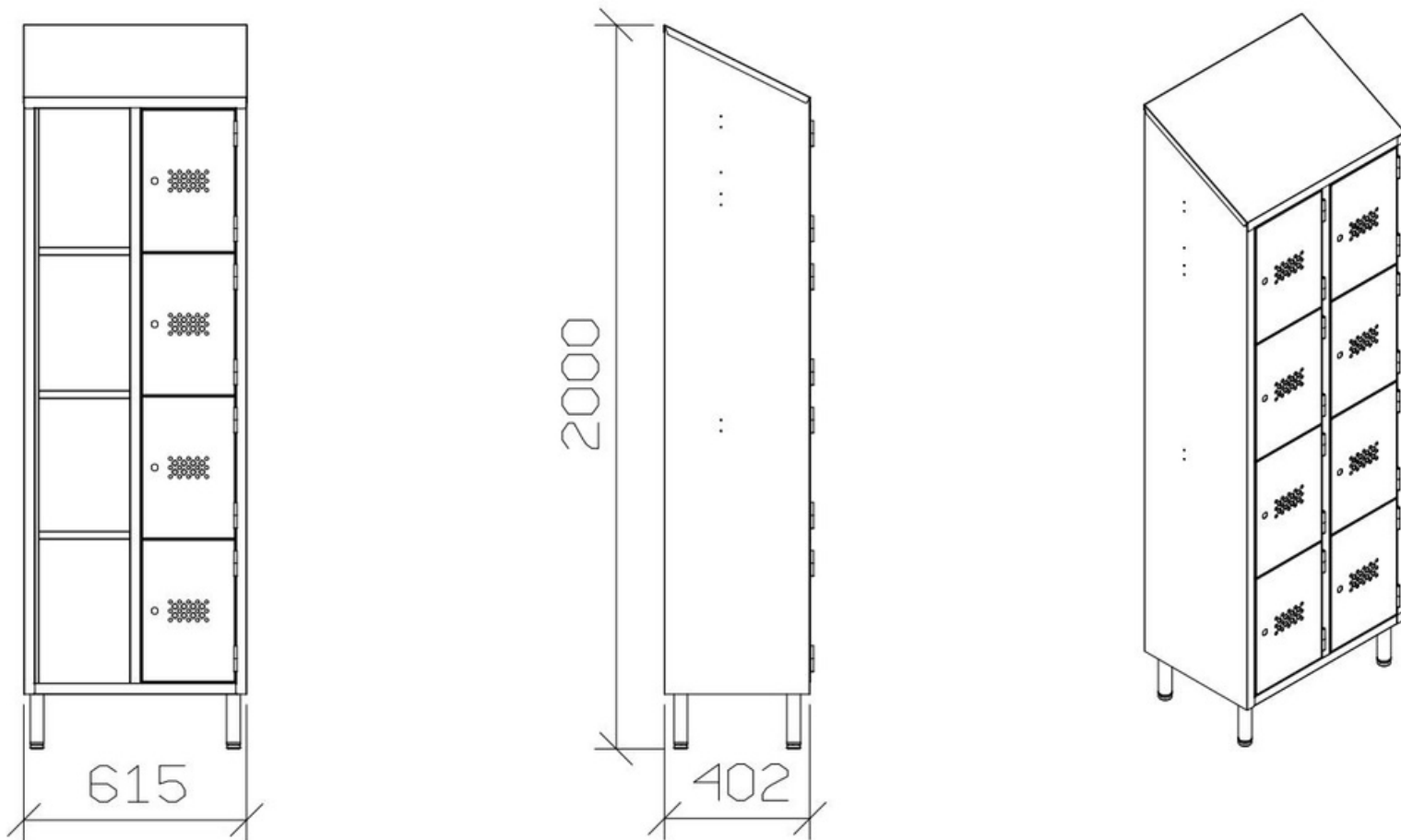


X1E2-8 - 4 Tiers Changing Room Locker - 8 Doors



- Stainless steel AISI 304 or AISI 441
- 4 tiers / 8 doors with ventilation holes and nametag holder

- Key lock or padlockable knob
- Adjustable feet $\varnothing 38\text{mm} \times 150\text{H}$
- Dimension mm 615 x 400 x 1.800/2.000H