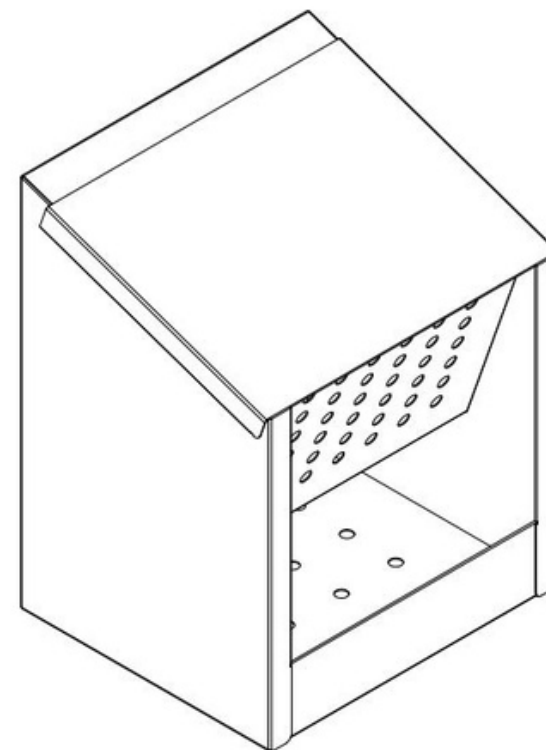
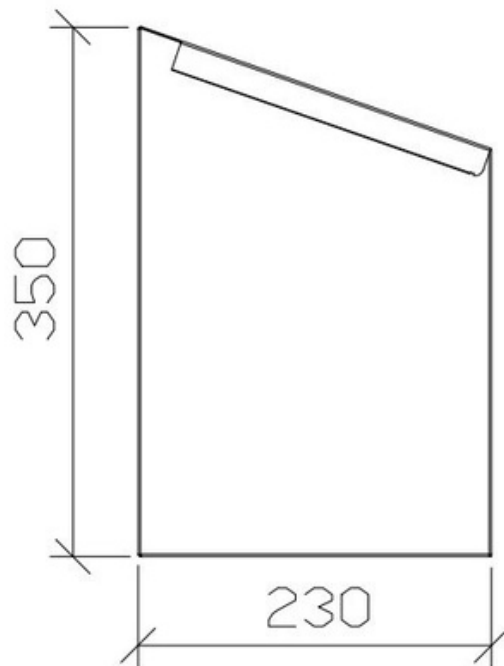
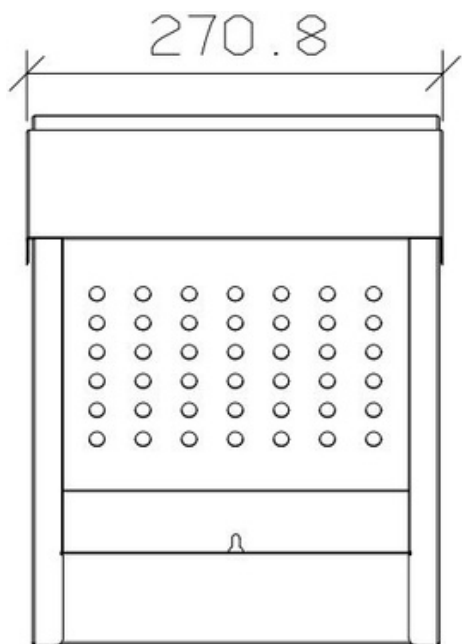


D001 - Universal PPE Dispenser



- Stainless steel AISI 304
- Inclined top
- Opening lid

- Ventilation holes
- Wall mounted
- Dimension mm 270 x 230 x 350H