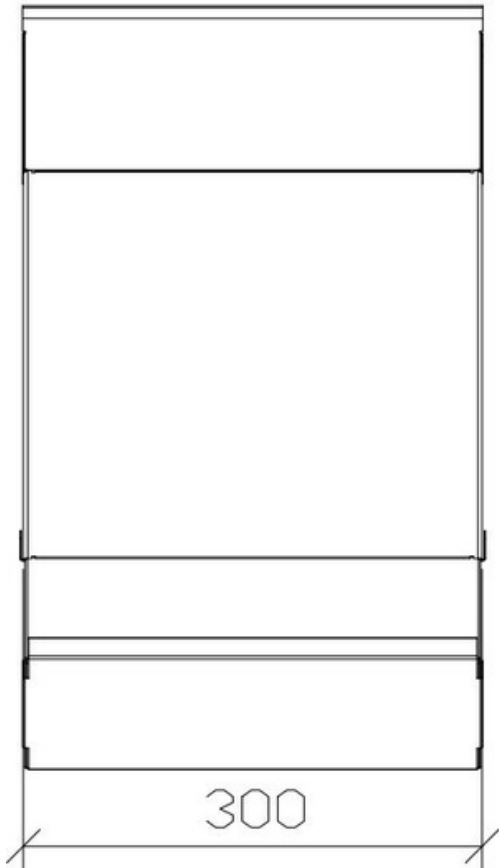
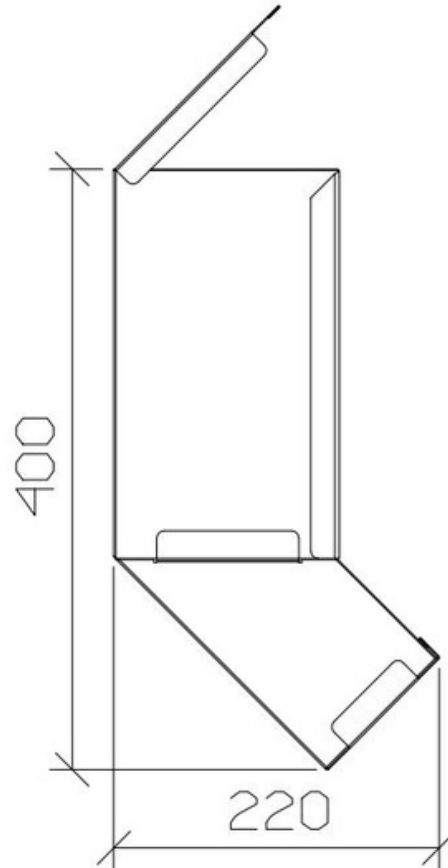


D009 - Universal PPE Dispenser



- Stainless steel AISI 304
- Flat top
- Opening Lid



- Wall mounted
- Dimension mm 300 x 220 x 400H

