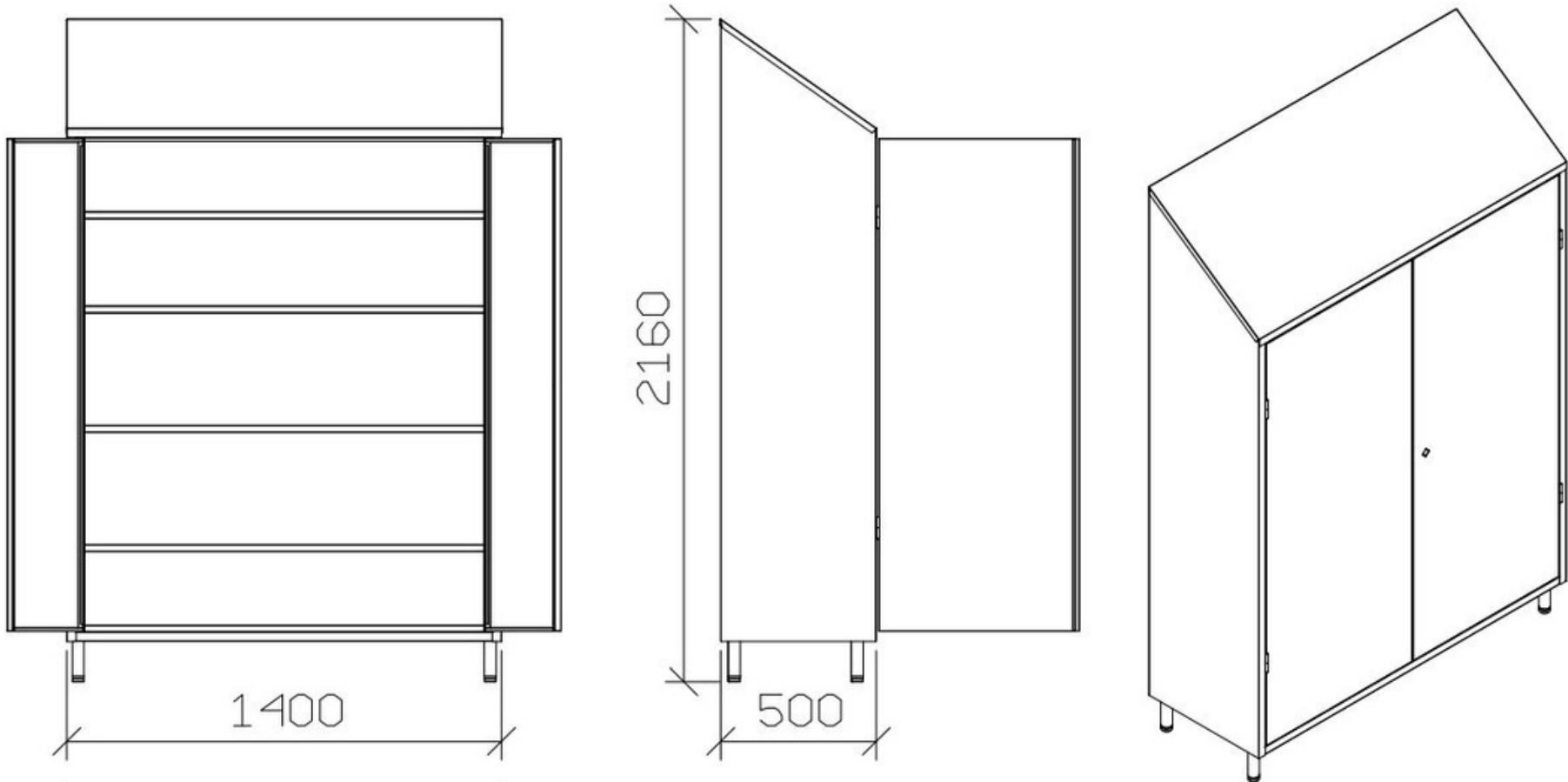


X2018- 2 Doors Storage Cupboard



- Stainless steel AISI 304 or AISI 441
- 2 Doors
- T-Handle with key lock

- 4 adjustable shelves
- Adjustable feet $\varnothing 38\text{mm} \times 150\text{H}$
- Dimension mm 1.400 x 500 x 1.800/2.150H