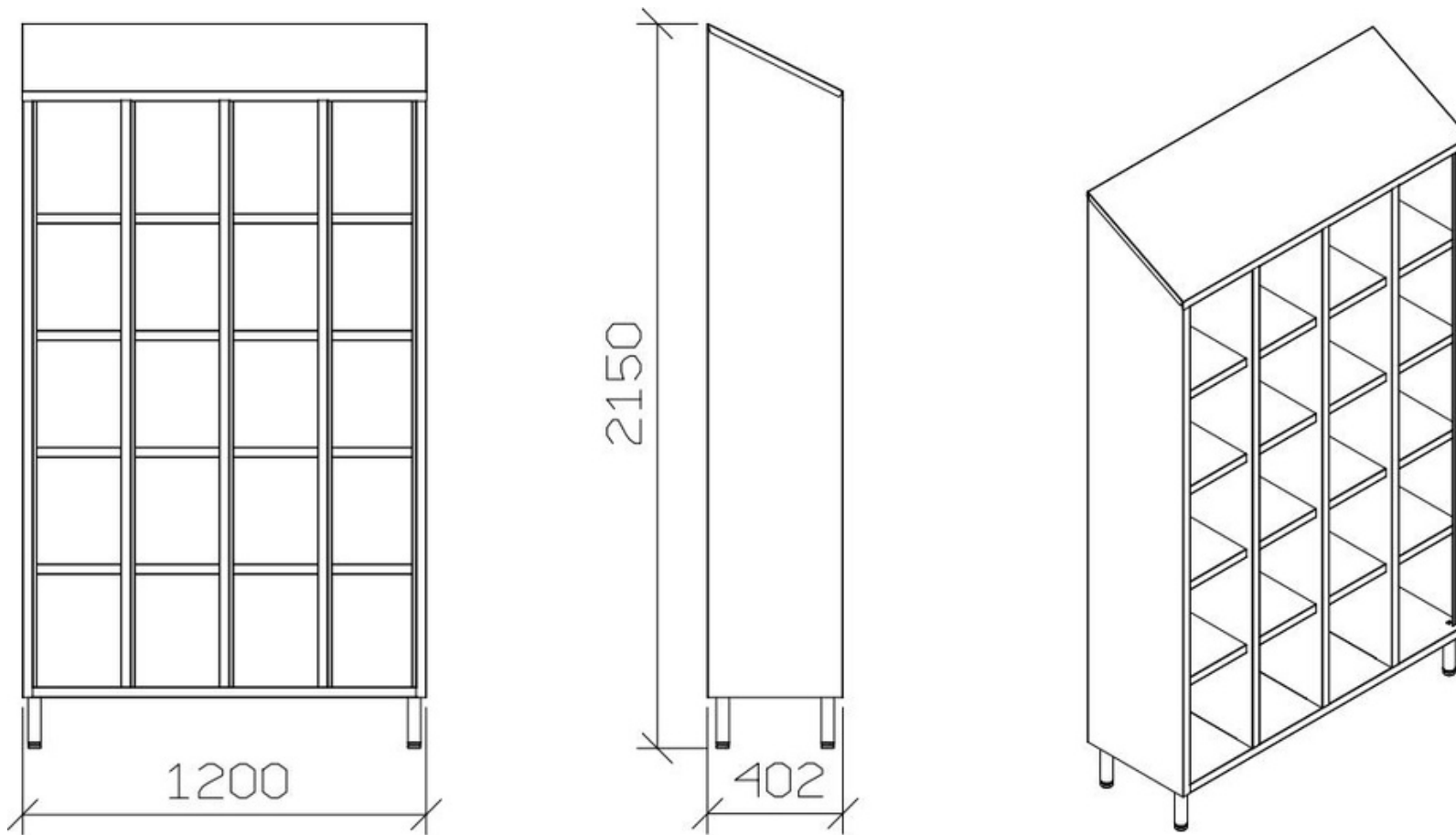


## X4007-20/01 - Pigeon Hole Locker 20 Compartments



- Stainless steel AISI 304 or AISI 441
- Sloping Top
- 20 Open Compartments without doors

- Adjustable feet  $\varnothing 38\text{mm} \times 150\text{H}$
- Dimension mm 1.200 x 400 x 1.950 / 2.150H