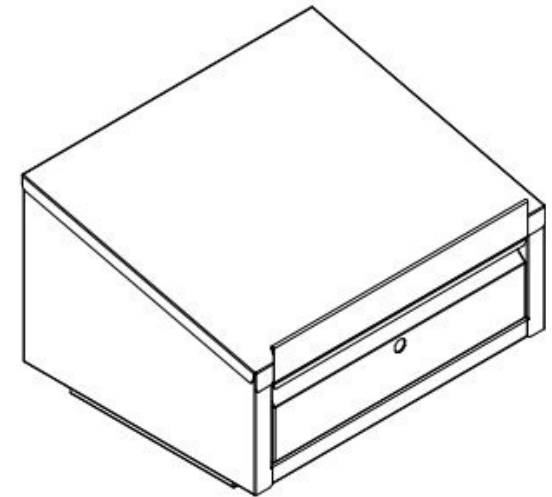
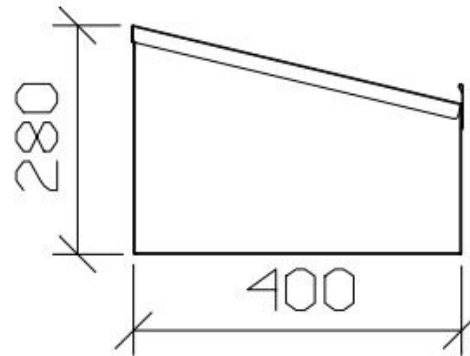
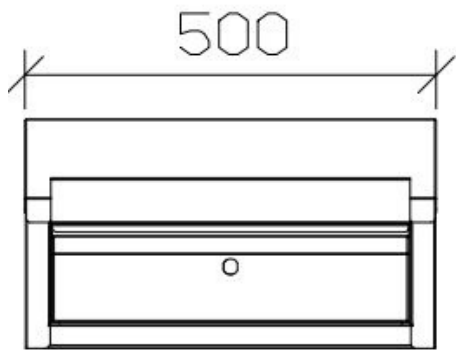


X4105 - Wall Mounted Writing Desk - 1 Drawer



- Stainless steel AISI 304 or AISI 441
- Inclined writing top with raised front edge
- 1 Drawer with key lock

- Wall mounted
- Dimension mm 500 x 400 x 185 / 280H