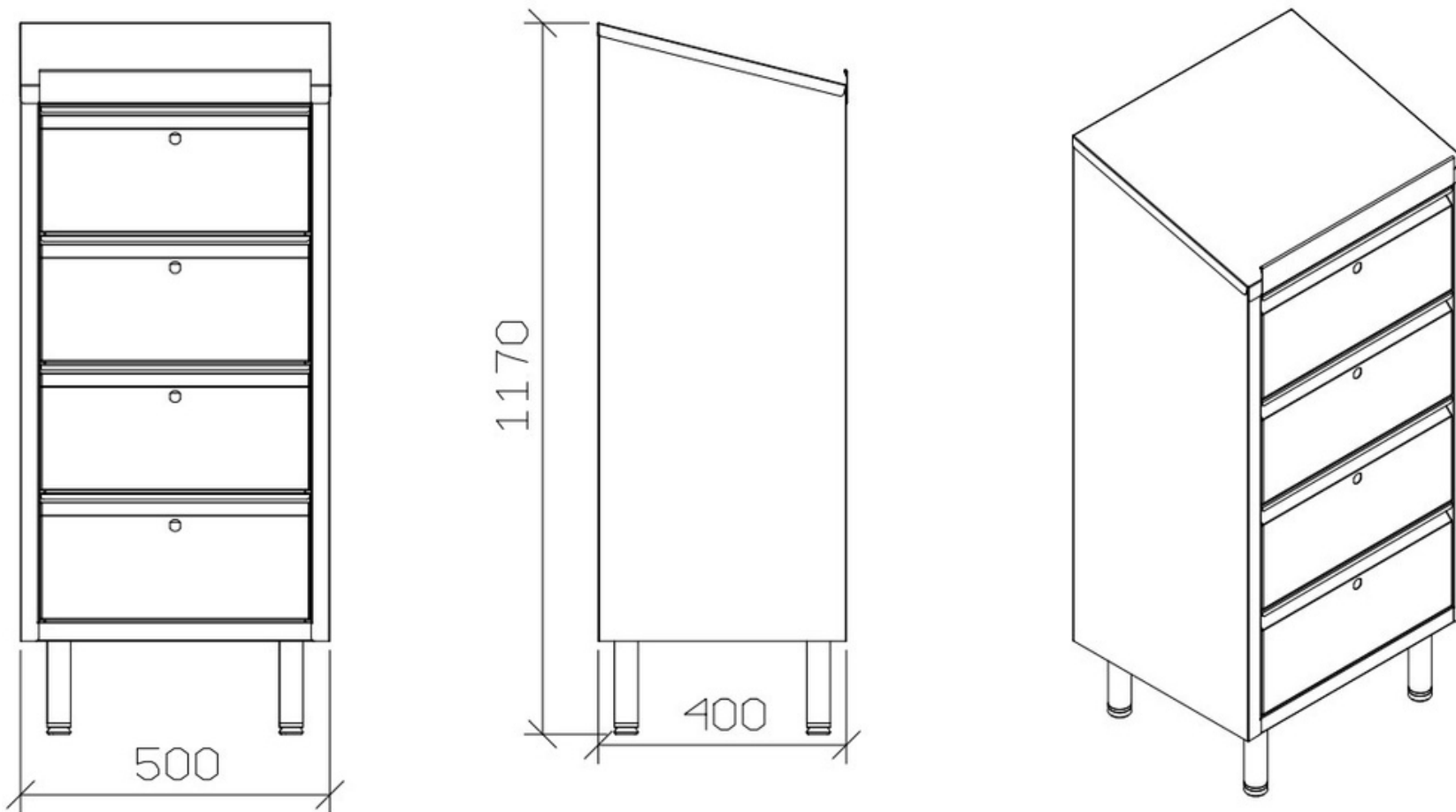


## X4150 - 4 Drawer Cabinet



- Stainless steel AISI 304 or AISI 441
- Inclined writing top with raised front edge
- 4 Drawers with key lock

- Adjustable feet  $\varnothing 38\text{mm} \times 150\text{H}$
- Dimension mm 500 x 400 x 1.170H