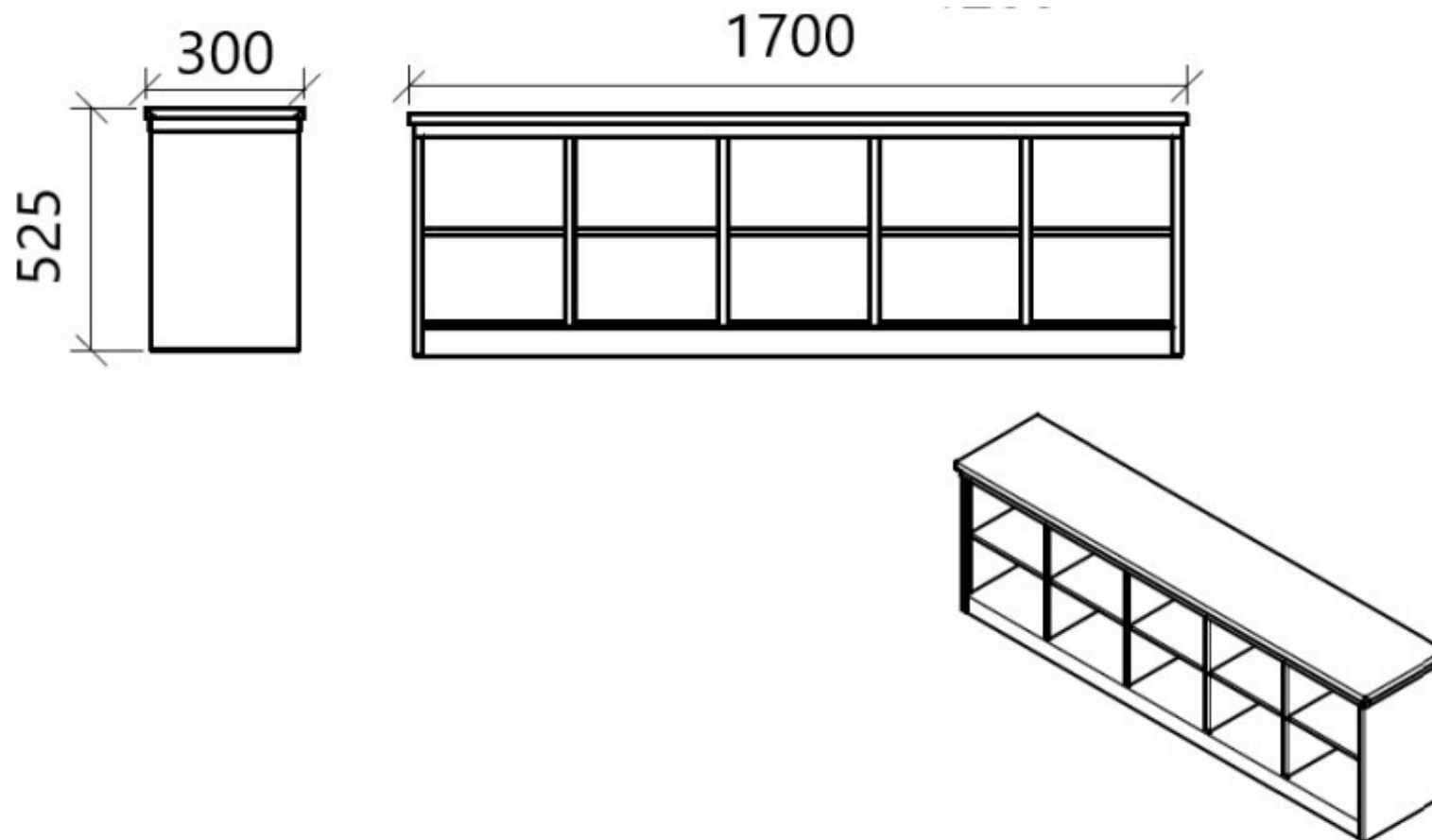


X7012 - Sit Over Bench



- Stainless steel AISI 304 or AISI 441
- Stainless steel seat (food grade PE on request)
- 10 pigeon holes for shoes, 1 side
- Bottom plinth
- Dimension mm 1.700 x 300 x 525H