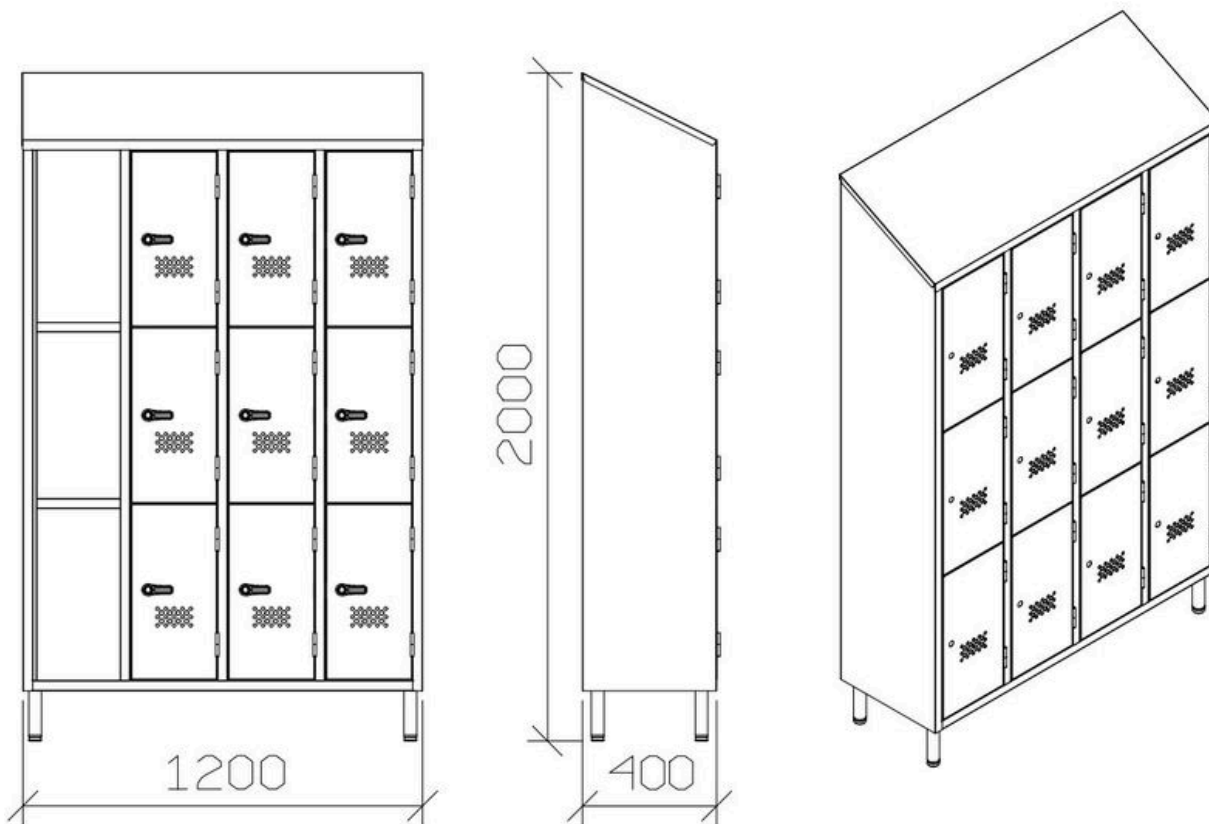


X1E4-12 - Triple tier locker / 12 doors



- Stainless steel AISI 304, thickness 0.8mm
- Dustproof sloping top
- 3 tiers / 12 doors
- Ventilation holes
- Latch lock for padlock or key lock
- Adjustable feet \varnothing mm 38 x 150H
- Dimension mm 1.200 x 400 x 1.800/2.000H